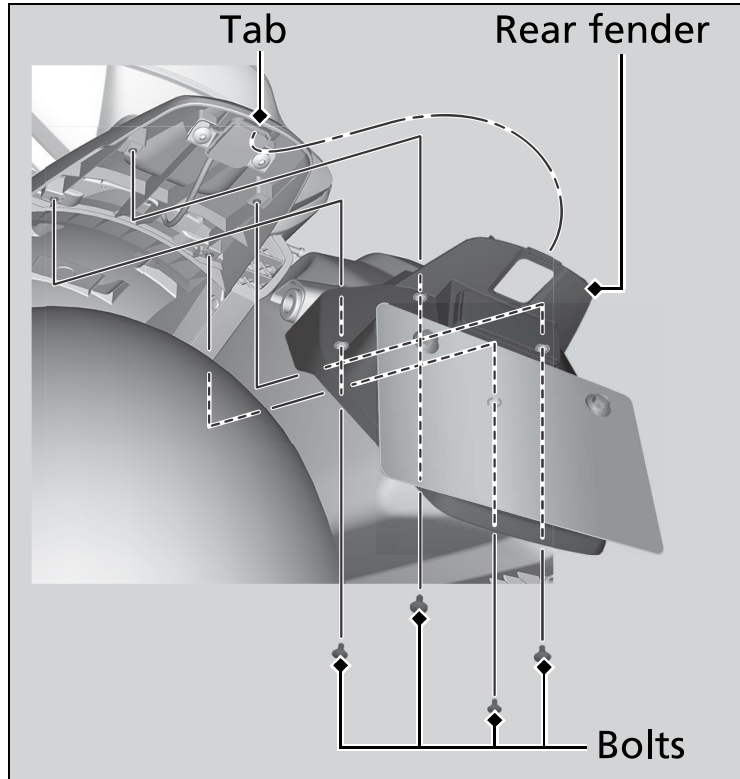


Rear Wheel

Removal

1. Place your motorcycle on its centre stand on a level surface.



2. Remove the left saddlebag. ► P. 90
3. Remove the bolts.
4. Remove the rear fender by releasing the tab.
5. Cover left side of the rear wheel and brake caliper with protective tape or cloth.

