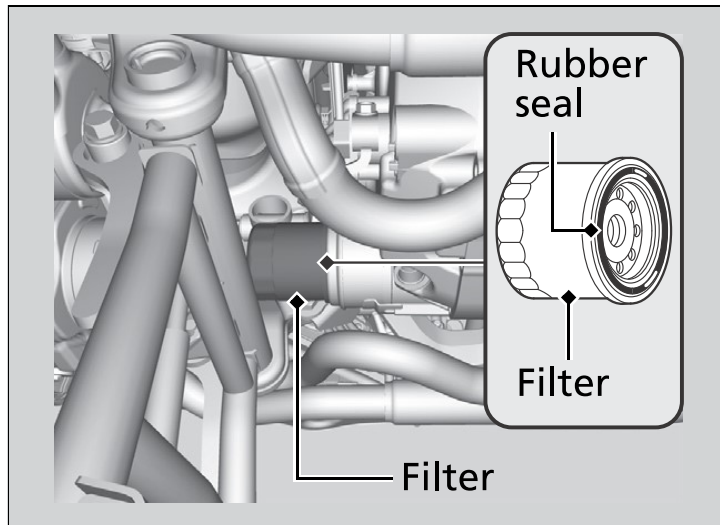


- Remove the oil filter with a filter wrench and let the remaining oil drain out. Make sure the prior seal is not stuck to the engine.

► Discard the oil and oil filter at an approved recycling centre.



- Apply a thin coat of engine oil to the rubber seal of a new oil filter.
- Install a new oil filter and tighten.

**Torque:** 26 N·m (2.7 kgf·m, 19 lbf·ft)

- Install a new sealing washer onto the drain bolt. Tighten the drain bolt.

**Torque:** 29 N·m (3.0 kgf·m, 21 lbf·ft)

- Fill the crankcase with the recommended oil (► P. 79) and install the oil fill cap.

### Required oil

#### When changing oil & engine oil filter:

3.9 litres (4.1 US qt, 3.4 Imp qt)

#### When changing oil only:

3.6 litres (3.8 US qt, 3.2 Imp qt)

- Check the oil level. ► P. 98
- Check that there are no oil leaks.