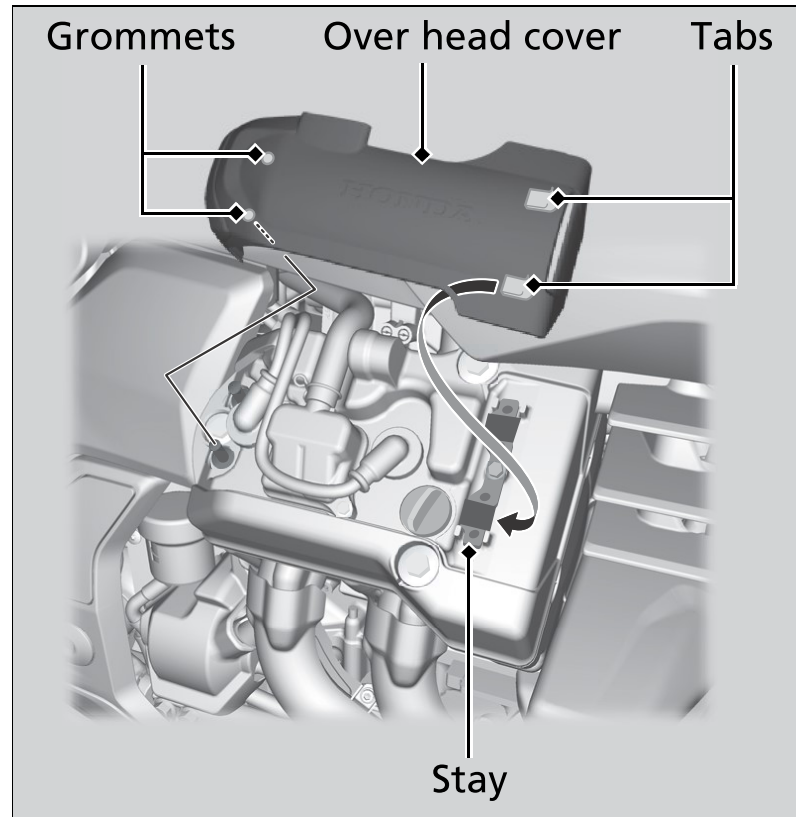


Over Head Cover



The right over head cover must be removed to access the oil fill cap and spark plugs. The left over head cover must be removed to access the spark plugs, and to remove the left side cover.

The right and left over head covers can be removed in the same manner.

Removal

1. Release the grommets by pulling the rear of the over head cover.
2. Remove the over head cover by releasing the tabs from the stay.

Installation

Install the parts in the reverse order of removal.