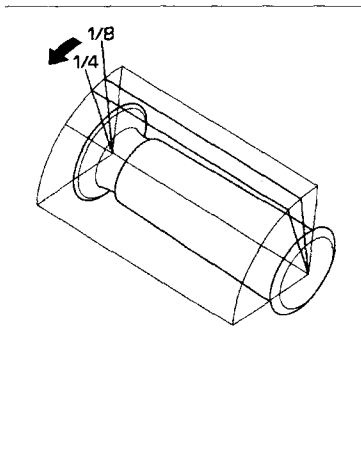


# Basic Operation

---

## Starting Procedure

- When the engine is hot:
  1. Check the engine stop switch is in the "RUN" position.
  2. Check the fuel cock lever is in the "ON" position.
  3. Turn the ignition switch "ON".
  4. Shift the gear change pedal into neutral position and check the neutral indicator is "ON".
  5. Close the throttle and operate the kick start lever rapidly.  
If the engine fails to start after one or two trials, follow procedure 6.
  6. If the engine does not start with the throttle closed, open the throttle to 7 ~ 3 as shown in the diagram operate the kick start lever rapidly.
  7. Check the side stand is retracted before selecting a gear.



Refer to p 75 if the engine fails to start