

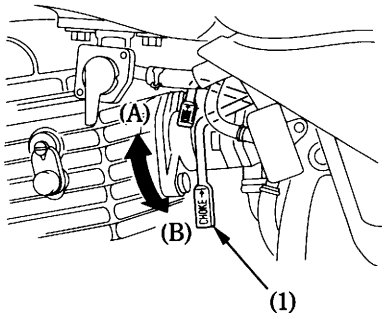
Starting Procedure

To restart a warm engine, follow the procedure for "High Air Temperature."

Normal Air Temperature

10° – 35°C (50° – 95°F)

1. Pull the choke lever (1) up all the way to Fully ON (A).



(1) Choke lever

(A) Fully ON

(B) Fully OFF

2. With the throttle slightly open, operate the kickstarter. Kick from the top of the stroke through to the bottom with a rapid, continuous motion.

NOTICE

Allowing the kickstarter to snap back freely against the pedal stop can damage the engine case.

3. Warm up the engine by opening and closing the throttle slightly.
4. About a quarter minute after the engine starts, push the choke lever down all the way to Fully OFF (B).
5. If idling is unstable, open the throttle slightly.