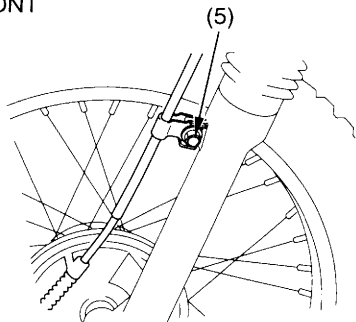


Brakes

5. Check the freeplay.

If the cable adjuster is threaded out near its limit or if the correct freeplay cannot be obtained using the cable adjuster:

LEFT FRONT



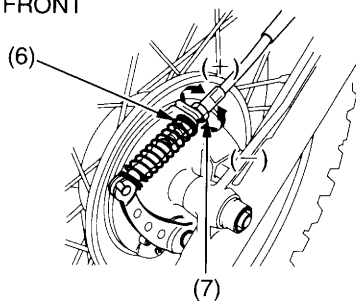
(5) cable guide bolt

Lower Adjustment

1. Loosen the lock nut and turn the cable adjuster all the way in.

2. Tighten the lock nut and return the rubber dust cover to its normal position.
3. Loosen the front brake cable guide bolt (5).
4. At the lower end of the cable, loosen the lower lock nut (6). Turn the lower adjusting nut (7) to obtain the specified freeplay. Tighten the lower lock nut.

LEFT FRONT



- (6) lower lock nut (+) increase freeplay
(7) lower adjusting nut (-) decrease freeplay