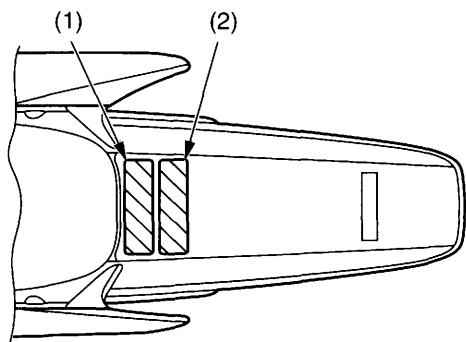


# Emission Control Systems

## Exhaust Emission Requirements

The U.S. Environmental Protection Agency (EPA), the California Air Resources Board (CARB), and Environment Canada (EC) require that your CRF comply with applicable exhaust emissions standards during its useful life, when operated and maintained according to the instructions provided.

The vehicle emission control information label (1) (2) is attached on the rear fender.



(1) vehicle emission control information label  
(2) vehicle emission control information label  
(Canada only)

## Noise Emission Requirements

The EPA also requires that motorcycles built after January 1, 1983 comply with applicable noise emission standards for one year or 1,865 miles (3,000 km) after the time of sale to the ultimate purchaser, the time operated and maintained according to the instructions provided. (USA only)

## Noise Emission Control System

**TAMPERING WITH THE NOISE CONTROL SYSTEM IS PROHIBITED:** U.S. federal law prohibits, or Canadian provincial laws may prohibit the following acts or the causing thereof: (1) The removal or rendering inoperative by any person, other than for purposes of maintenance, repair or replacement, of any device or element of design incorporated into any new vehicle for the purpose of noise control prior to its sale or delivery to the ultimate purchaser or while it is in use; or (2) the use of the vehicle after such device or element of design has been removed or rendered inoperative by any person.

**AMONG THOSE ACTS PRESUMED TO CONSTITUTE TAMPERING ARE THE ACTS LISTED BELOW:**

1. Removal of, or puncturing the muffler, baffles, header pipes, or any other component which conducts exhaust gases.
2. Removal of, or puncturing of any part of the intake system.
3. Lack of proper maintenance.
4. Replacing any moving parts of the vehicle, or parts of the exhaust or intake system, with parts other than those specified by the manufacturer.

## Problems that May Affect Motorcycle Emissions

If you are aware of any of the following symptoms, have the vehicle inspected and repaired by your Honda dealer.

1. Hard starting or stalling after starting.
2. Rough idle.
3. Misfiring or backfiring during acceleration.
4. After-burning (backfiring).
5. Poor performance (driveability) and poor fuel economy.

Federal regulations prohibit removing or disabling a device or element of design that may affect your engine's emission performance unless your CRF will be used exclusively in competition. If you modify your engine for use in sanctioned competition events, you must deface or destroy the emission control information label.