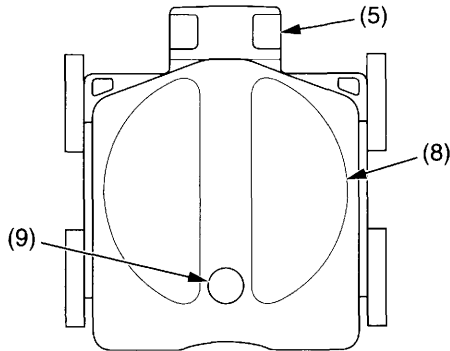


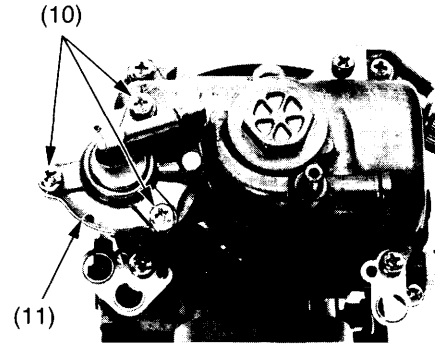
# Carburetor Adjustment & Tuning Tips

When installing the floating valve (8) onto the throttle valve (5) make sure the floating valve's flat side faces out and the hole (9) faces down.



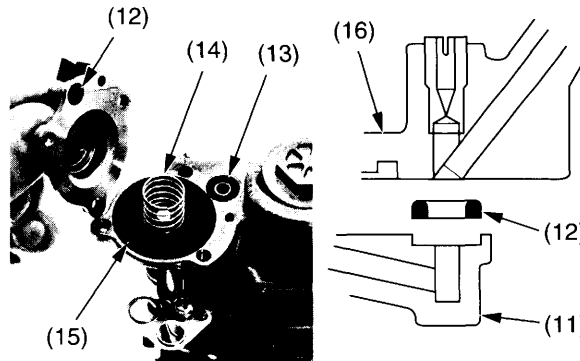
(5) throttle valve  
(8) floating valve  
(9) hole

6. Remove the accelerator pump cover screws (10) and accelerator pump cover (11).



(10) accelerator pump cover screws  
(11) accelerator pump cover

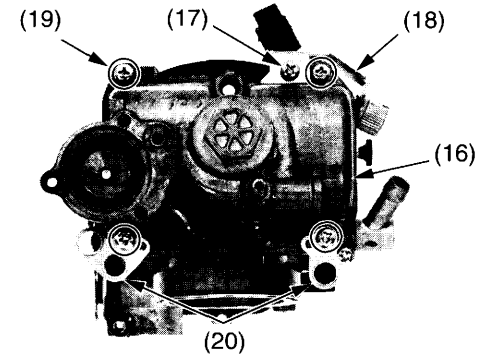
7. Remove the U-ring (12), O-ring (13), spring (14) and diaphragm (15).  
Clean the diaphragm.  
When installing the U-ring into the accelerator pump cover (11) make sure the U-ring flat-side faces down, away from the float bowl (16).



(11) accelerator pump cover  
(12) U-ring  
(13) O-ring

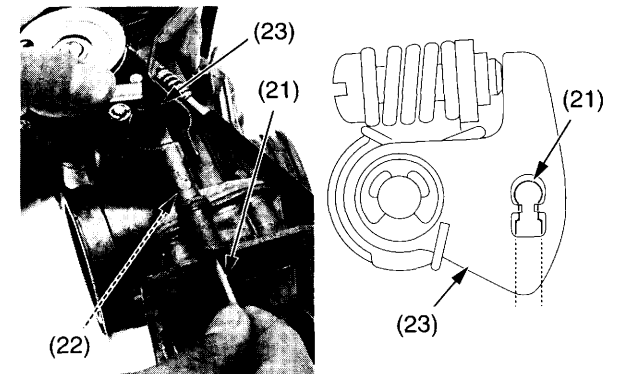
(14) spring  
(15) diaphragm  
(16) float bowl

8. Remove the holder screw (17), throttle stop screw holder (18), float bowl screws (19), tube guides (20) and float bowl (16).



(16) float bowl  
(17) holder screw  
(18) throttle stop screw holder  
(19) float bowl screws  
(20) tube guides

9. Remove the pump rod (21).  
Clean the pump rod and rod passage (22).  
Install the pump rod by pushing the rod forcibly into the link lever (23) until it snaps into place.



(21) pump rod  
(22) rod passage

(23) link lever