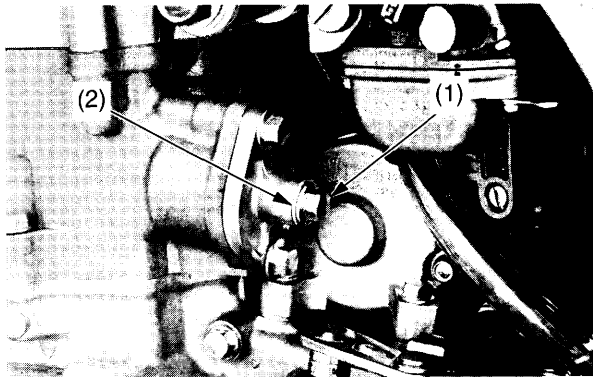


Valve Clearance

Camshaft Holder Assembly Removal

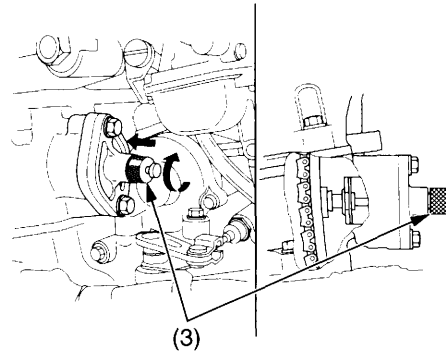
1. Record the intake valve and exhaust valve clearances.
Make sure the piston is at TDC (Top Dead Center) on the compression stroke (page 66).
2. Remove the cam chain tensioner lifter cover bolt (1) and sealing washer (2).



(1) cam chain tensioner lifter cover bolt
(2) sealing washer

Use the tensioner stopper tool.

- Tensioner stopper 070MG-0010100
3. Turn the tensioner shaft clockwise with the tensioner stopper (3) until it stops, in order to retract the tensioner fully.
Then insert the tensioner stopper fully to hold the stopper in the fully retracted position.

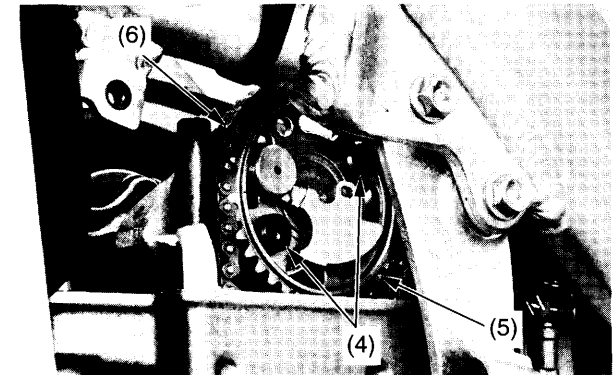


(3) tensioner stopper

4. Loosen the cam sprocket bolt (4).
Rotate the primary drive gear bolt (crankshaft) clockwise one turn and remove the other sprocket bolt. Rotate the primary drive gear bolt (crankshaft) clockwise one turn again and remove the remaining sprocket bolt.
5. Remove the cam sprocket (5) and then attach a piece of wire to the cam chain (6) to prevent it from falling into the crankcase.

NOTICE

Do not let the bolts, sprocket and cam chain fall into the crankcase.



(4) cam sprocket bolts
(5) cam sprocket
(6) cam chain