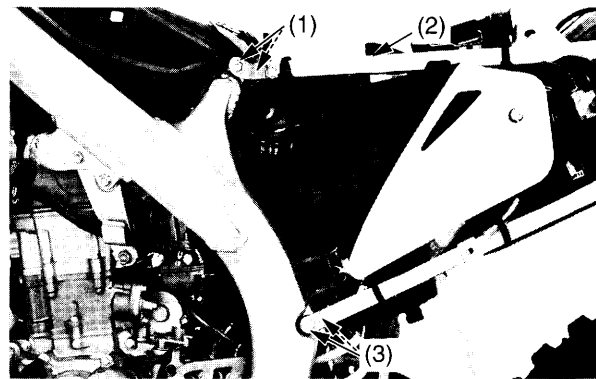


Subframe Upright Position

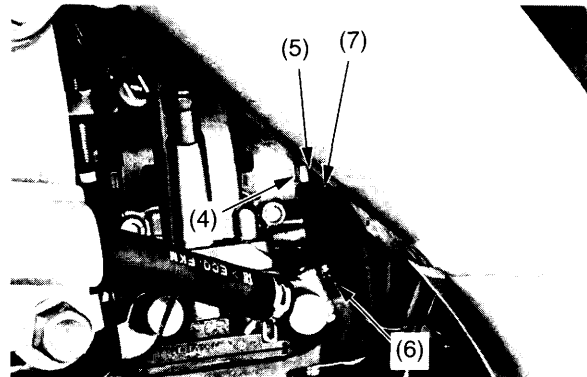
Installation

1. Loosen the subframe upper mounting bolts (1).
2. Loosely attach the lower ends of the subframe (2) to the mainframe while connecting the air cleaner connecting boot to the carburetor. Be careful not to bend the subframe.



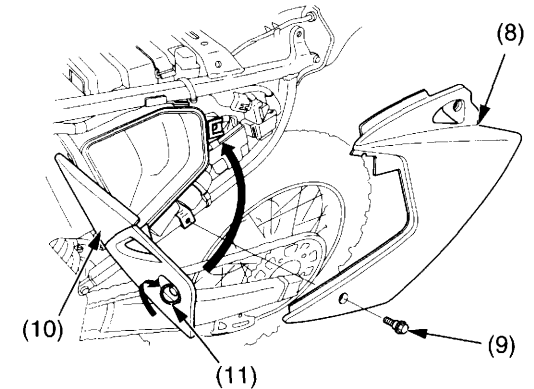
- (1) subframe upper mounting bolts
(2) subframe
(3) subframe lower mounting bolts

3. Make sure the carburetor lug (4) aligns with the air cleaner connecting tube slot (5).
4. Tighten the screw (6) on the air cleaner connecting boot clamp (7).



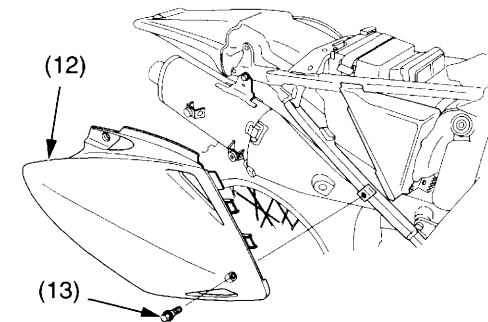
- (4) carburetor lug
(5) air cleaner connecting tube slot
(6) screw
(7) air cleaner connecting boot clamp

5. Install the muffler (page 63).
6. Install the left side cover (8) and left side cover bolt (9). Close the air cleaner housing cover (10) and turn the quick fastener (11) clockwise.



- (8) left side cover (10) air cleaner housing cover
(9) left side cover bolt (11) quick fastener

7. Install the right side cover (12) and right side cover bolt (13).



- (12) right side cover
(13) right side cover bolt

8. Install the seat (page 36).