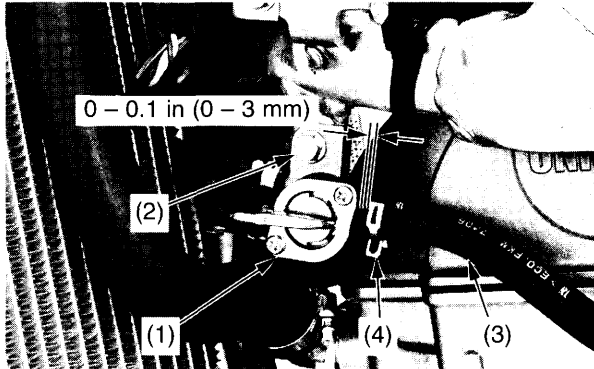


# Fuel Tank

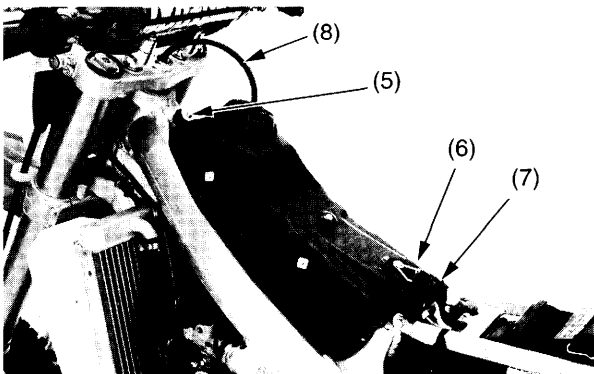
## Installation

1. Install the fuel tank on the frame.
2. Install the fuel valve (1) and tighten the fuel valve bolt (2).
3. Connect the fuel line (3) to the fuel valve. Clamp the fuel line clamp (4) as shown.



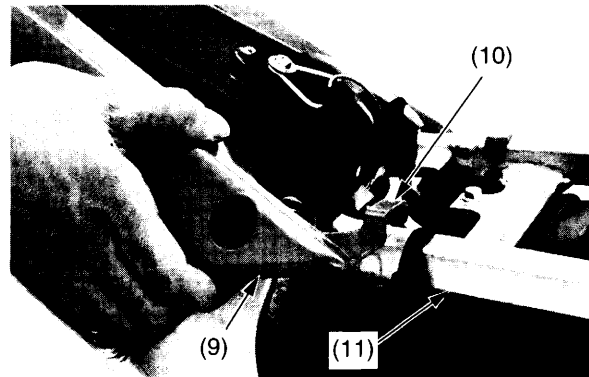
- (1) fuel valve  
(2) fuel valve bolt  
(3) fuel line  
(4) fuel line clamp

4. Install and tighten the fuel tank bolt/collar (5).
5. Hook the air cleaner cover rubber (6).
6. Install and hook the fuel tank band (7).
7. Put the breather tube (8) in the steering stem nut.



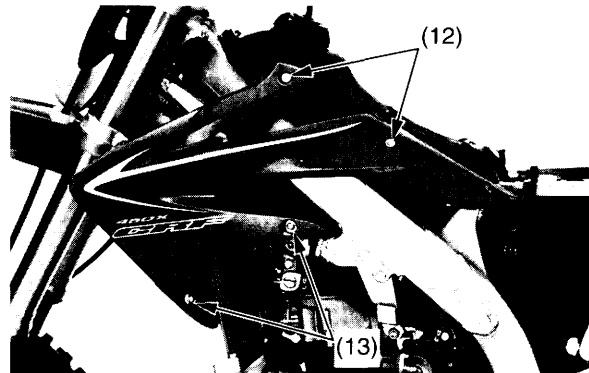
- (5) fuel tank bolt/collar  
(6) air cleaner cover rubber  
(7) fuel tank band  
(8) breather tube

8. Install the shrouds (9) by aligning its tab (10) with subframe (11).



- (9) shroud  
(10) tab  
(11) subframe

9. Install the shroud B bolts (12) and shroud A bolts/collars (13).
10. Tighten the shroud B bolts to the specified torque:  
3.7 lbf-ft (5 N·m, 0.5 kgf·m)



- (12) shroud B bolts  
(13) shroud A bolts/collars

11. Install the seat (page 36).