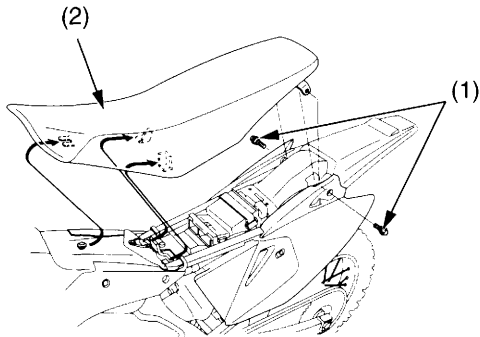


Seat

Refer to *Safety Precautions* on page 25.

Removal

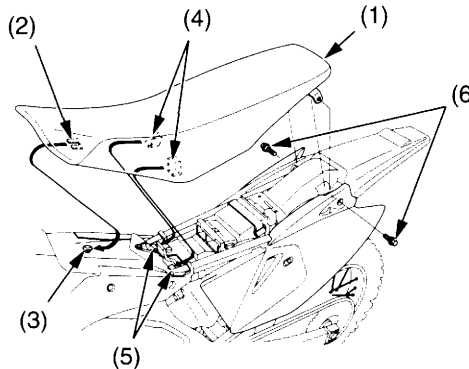
1. Remove the seat mounting bolts (1).
2. Remove the seat (2) by sliding it backward.



- (1) seat mounting bolts
(2) seat

Installation

1. Install the seat (1) while aligning the seat front prong (2) with the seat bracket (3) and seat rear prongs (4) with the tabs (5) of the frame.
2. Install and tighten the seat mounting bolts (6) to the specified torque.
19 lbf·ft (26 N·m, 2.7 kgf·m)



- (1) seat
(2) seat front prong
(3) seat bracket
(4) seat rear prongs
(5) tabs
(6) seat mounting bolts