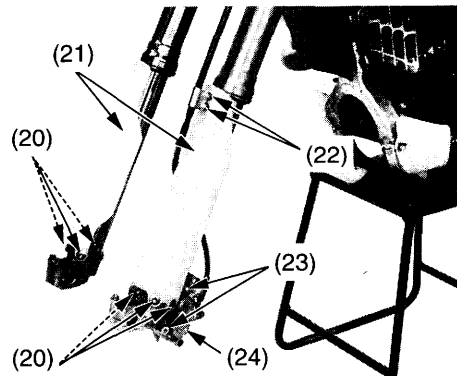


Front Suspension Adjustments

21. Clean the threads of the fork protector bolts (20) and axle holder thoroughly. Apply locking agent to the bolt threads. Install the fork protectors (21), fork protector bolts and brake hose clamp bolts (22). Tighten the fork protector bolts to the specified torque:
7 N·m (0.7 kgf·m, 5.2 lbf·ft)

22. Align the brake caliper (24) and hose with the left fork leg, making sure that the brake hose is not twisted. An improperly routed brake hose may rupture and cause a loss of braking efficiency.

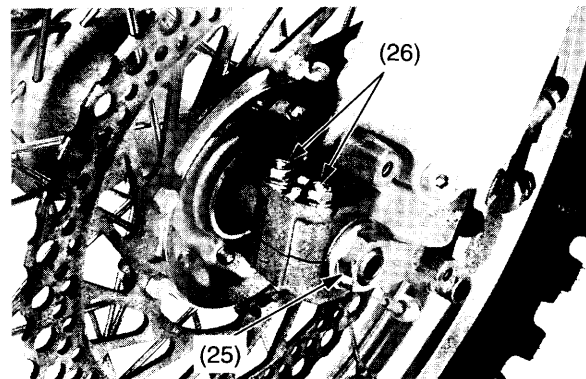
23. Clean the threads of the brake caliper mounting bolts (23) and brake caliper thoroughly. Apply locking agent to the bolt threads. Install the brake caliper (24) on the slider and tighten the brake caliper mounting bolts to the specified torque:
30 N·m (3.1 kgf·m, 22 lbf·ft)



- (20) fork protector bolts
- (21) fork protectors
- (22) brake hose clamp bolts
- (23) brake caliper mounting bolts
- (24) brake caliper

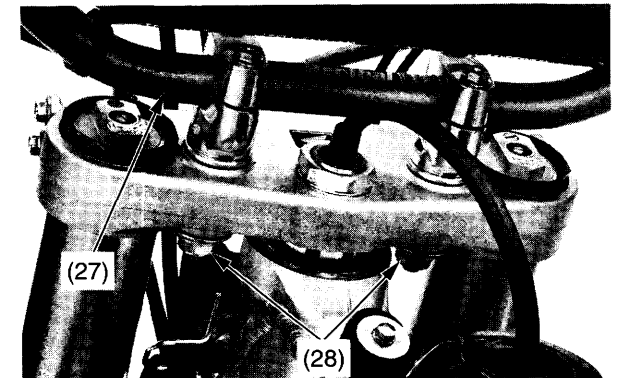
24. Clean the surfaces where the axle and axle clamps contact each other. Install the left and right side collars into the wheel hub. Insert the front axle shaft through the wheel hub from the right side. Make sure the front axle shaft is seated firmly onto the left fork leg clamp inner surface. Tighten the front axle nut (25) to the specified torque:
88 N·m (9.0 kgf·m, 65 lbf·ft)

Tighten the left axle pinch bolts (26) to the specified torque:
20 N·m (2.0 kgf·m, 15 lbf·ft)



- (25) front axle nut
- (26) left axle pinch bolts

25. Install the handlebar (27), mounting rubbers, washers and handlebar lower holder nuts (28) and tighten the handlebar holder nuts to the specified torque:
44 N·m (4.5 kgf·m, 32 lbf·ft)



- (27) handlebar
- (28) mounting rubbers/washers/handlebar lower holder nuts