

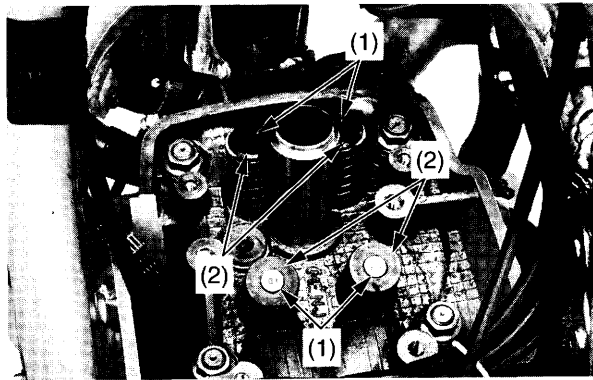
Valve Clearance

Camshaft Holder Assembly Installation

1. Install the newly selected shims (1) on the valve spring retainers (2).

NOTICE

Do not let the shims fall into the crankcase.

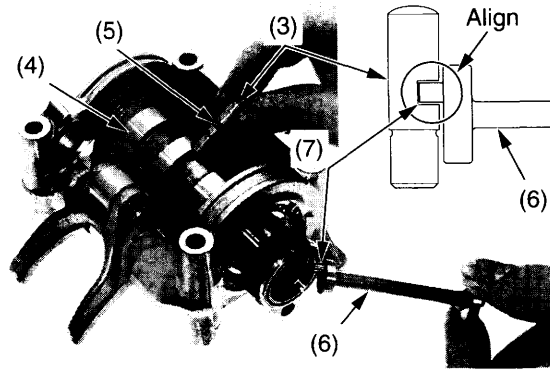


- (1) shims
- (2) valve spring retainers

2. Apply molybdenum disulfide oil (a mixture of 1/2 engine oil and 1/2 molybdenum disulfide grease containing more than 3% molybdenum disulfide additive) to the following parts.
 - camshaft cam lobes
 - each valve lifter outer surface
 - plunger whole surface
 - decompressor shaft sliding area

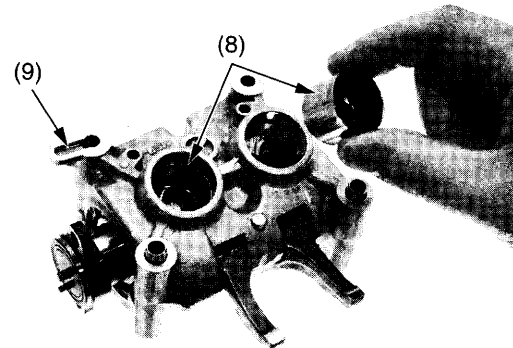
3. Install the plunger (3) into the camshaft (4) with its rounded surface facing up and groove (5) side toward the decompressor shaft (6). Install the decompressor shaft while aligning its tab (7) with the groove of the plunger shown.

Check the operation of the plunger by turning the decompressor shaft with your finger, then pushing down and pull up the plunger smoothly.



- (3) plunger
- (4) camshaft
- (5) groove
- (6) decompressor shaft
- (7) tab

4. Install the each valve lifter (8) in their original location into the camshaft holder assembly (9).



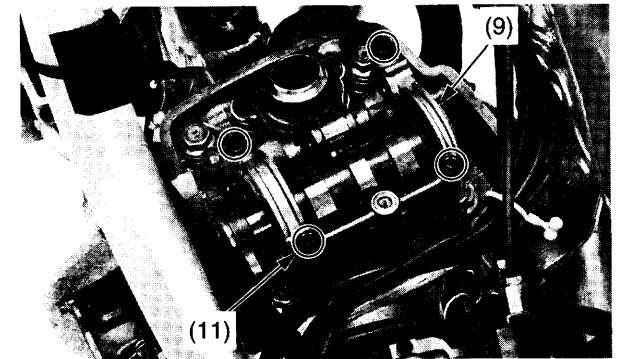
- (8) valve lifters
- (9) camshaft holder assembly

5. Install the camshaft holder assembly (9) onto the cylinder head with the intake cam lobes (10) facing up as illustrated below. Apply engine oil to the camshaft holder assembly bolt threads and seating surface. Tighten the camshaft holder assembly bolts (11) to the specified torque: 14 N·m (1.4 kgf·m, 10 lbf·ft)

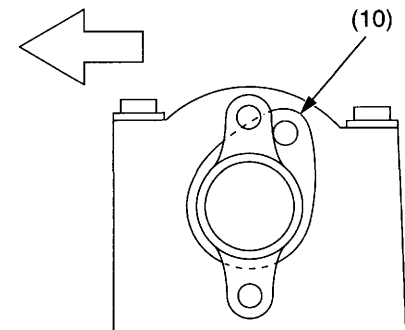
NOTICE

Do not let the decompressor shaft and plunger fall into the crankcase.

Tighten the camshaft holder assembly bolts in a criss-cross pattern in two or three steps.



Exhaust side



- (9) camshaft holder assembly
- (10) intake cam lobes
- (11) camshaft holder assembly bolts