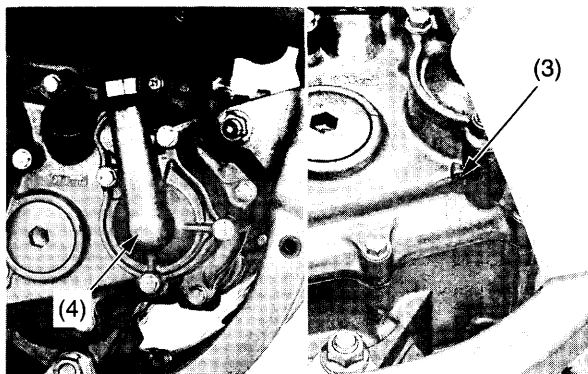
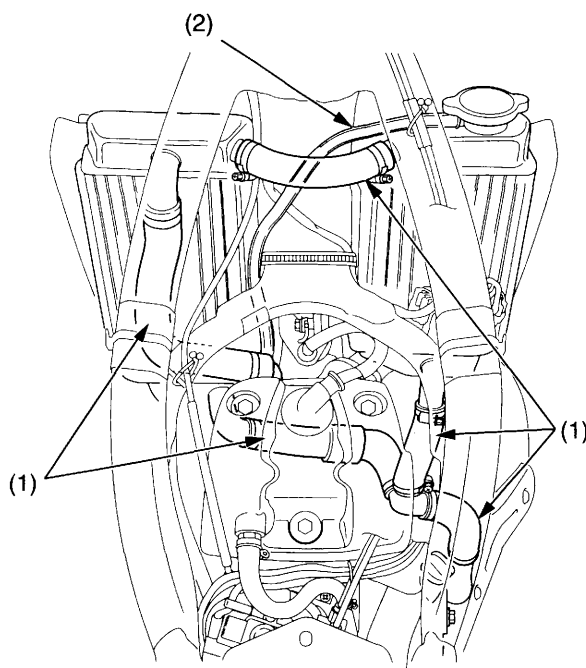


# Coolant

## Cooling System Inspection

1. Check the cooling system for leaks (see the Honda Shop Manual for troubleshooting of leaks).
2. Check the water hoses (1) for cracks, deterioration, and radiator hose clamp for looseness.
3. Check the radiator mount for looseness.
4. Make sure the overflow hose (2) is connected and not clogged.
5. Check the radiator fins for clogging.
6. Check the bleed hole (3) below the water pump cover (4) for leakage. Check for signs of seal leakage. A small amount of “weeping” from the bleed hole is normal. See the Honda Shop Manual or consult your Honda dealer for replacing the water seal or the oil seal. Both seals should be replaced at the same time.



- (1) water hoses
- (2) overflow hose
- (3) bleed hole
- (4) water pump cover

## Coolant Replacement

Refer to *Safety Precautions* on page 19.

Coolant should be replaced by your Honda dealer, unless you have the proper tools and service data and are mechanically qualified. Refer to the Honda Shop Manual.

### **▲ WARNING**

Removing the radiator cap while the engine is hot can cause the coolant to spray out, seriously scalding you.

Always let the engine and radiator cool down before removing the radiator cap.

To properly dispose of drained coolant, refer to *You & the Environment*, page 142.

### **NOTICE**

*Improper disposal of drained fluids is harmful to the environment.*