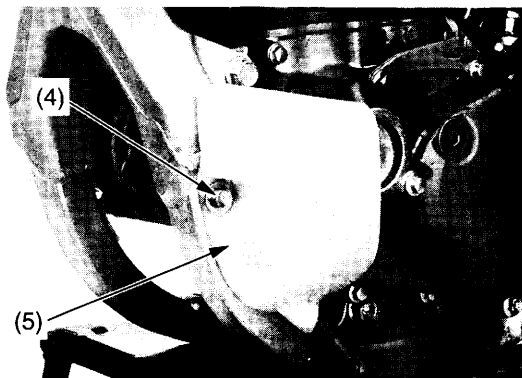


Engine Oil

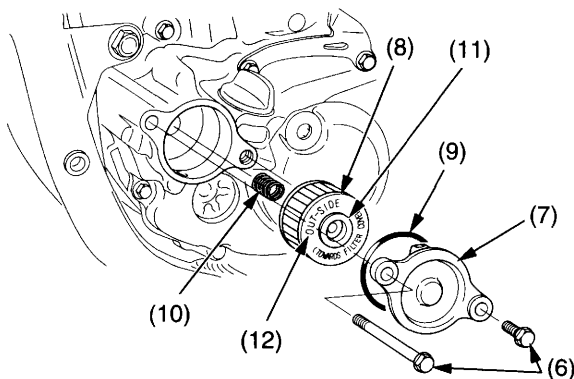
- It is recommended to replace the oil and filter every 6 races or about every 15.0 hours. However, if you replace only the oil before the recommended interval, see page 21.
- Remove the left engine guard bolt (4) and left engine guard (5).



- (4) left engine guard bolt
(5) left engine guard

- Remove the oil filter cover bolts (6) and oil filter cover (7).
- Remove the oil filter (8) from the oil filter cover.

- Check that the oil filter cover O-ring (9) is in good condition and replace it if necessary.



- (6) oil filter cover bolts
(7) oil filter cover
(8) oil filter
(9) oil filter cover O-ring
(10) spring
(11) rubber seal
(12) "OUT-SIDE" mark

NOTICE

Using the wrong oil filter may result in leaks or premature engine damage.

- Apply grease to the filter side of the spring end, then install the spring (10) into the new oil filter.
- Position the spring against the engine crankcase and install a new oil filter with the rubber seal (11) facing out, away from the engine. You should see the "OUT-SIDE" mark (12) on the filter body, near the seal. Use a new Honda Genuine oil filter or a filter of equal quality specified for your model.

NOTICE

If the oil filter is not installed properly, it will cause serious engine damage.

- Apply engine oil to the O-ring and install it to the oil filter cover.
- Install the oil filter cover being careful not to damage the O-ring, then tighten the oil filter cover bolts to the specified torque:
12 N·m (1.2 kgf·m, 9 lbf·ft)
- Install the left engine guard and tighten the left engine guard bolt.
- Fill the crankcase with the recommended oil.
Capacity: 0.69 l (0.73 US qt, 0.61 Imp qt) after draining and filter change
0.66 l (0.70 US qt, 0.58 Imp qt) after draining
- Install the engine oil filler cap.
- Check the engine oil level by following the steps in *Checking & Adding Oil* (page 37).

Pour the drained oil into a suitable container and dispose of it in an approved manner (page 142).

NOTICE

Improper disposal of drained fluids is harmful to the environment.