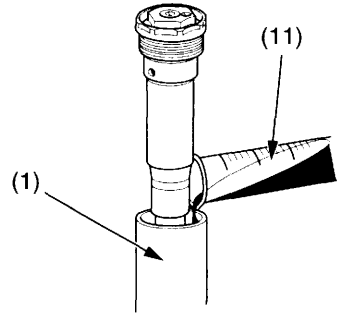


Front Suspension Adjustments

13. Pour the recommended fork oil (11) into the outer tube/slider (1).

Recommended Oil:
Pro Honda HP Fork Oil 5 W or equivalent.

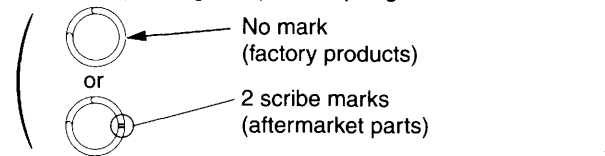


(1) outer tube/slider

(11) fork oil

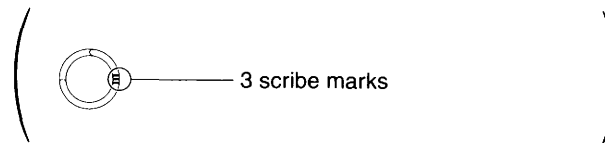
Fork Oil Capacity:

Standard (0.42 kgf/mm) Fork Spring



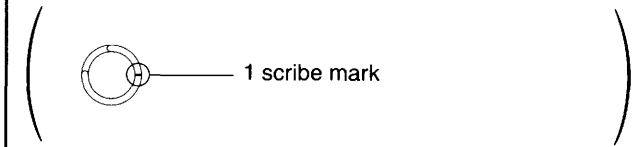
Standard oil capacity	11.7 US oz (345 cm ³)	
Maximum oil capacity	13.5 US oz (399 cm ³)	Slightly stiffer as it nears full compression.
Minimum oil capacity	10.2 US oz (303 cm ³)	Slightly softer as it nears full compression.

Optional Softer (0.40 kgf/mm) Fork Spring



Standard oil capacity	11.8 US oz (350 cm ³)	
Maximum oil capacity	13.7 US oz (404 cm ³)	Slightly stiffer as it nears full compression.
Minimum oil capacity	10.4 US oz (308 cm ³)	Slightly softer as it nears full compression.

Optional Stiffer (0.44 kgf/mm) Fork Spring



Standard oil capacity	11.8 US oz (348 cm ³)	
Maximum oil capacity	13.6 US oz (402 cm ³)	Slightly stiffer as it nears full compression.
Minimum oil capacity	10.3 US oz (306 cm ³)	Slightly softer as it nears full compression.

Be sure the oil capacity is the same in both fork legs.