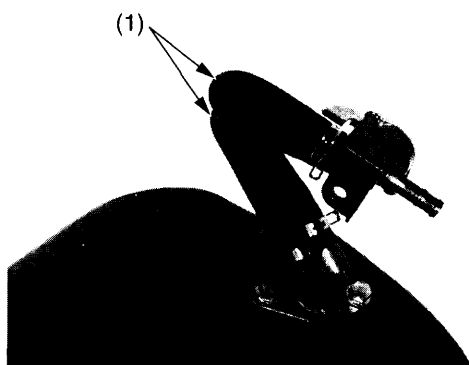
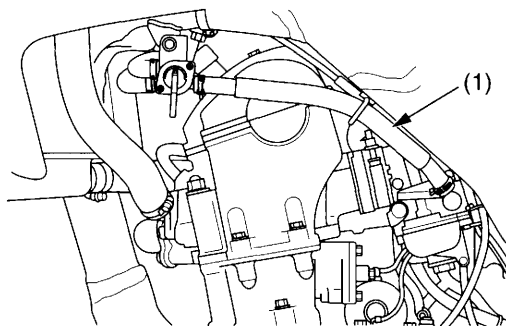


# Fuel System

## Fuel Line



(1) fuel line

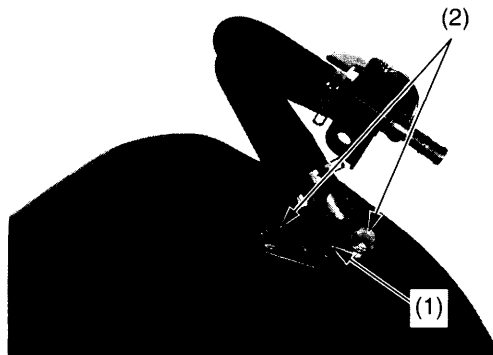
1. Check for leaks.
2. Check the fuel line (1) for cracks, deterioration, damage or leakage. Replace the fuel line, if necessary.
3. Check for interference between the frame and tank and adjust if necessary.

## Fuel Filter

The fuel filter is mounted on the bottom left side of the fuel tank. Dirt accumulated in the filter will restrict the flow of the fuel to the carburetor.

To service the fuel filter:

1. Drain the fuel from the fuel tank into an approved gasoline container.
2. Remove the fuel tank (page 37).
3. Remove the fuel joint (1) from fuel tank by removing the bolts (2).

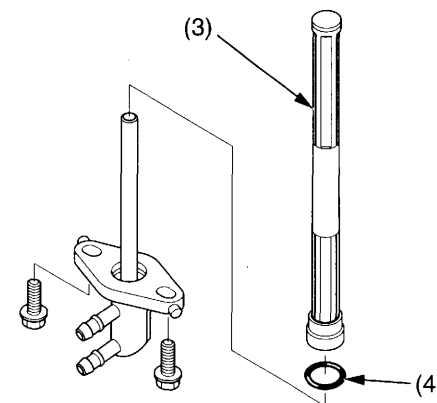


(1) fuel joint

(2) bolts

4. Wash the fuel filter (3) in high flash-point cleaning solvent.
5. Check that the O-ring (4) is in good condition and install it onto the fuel joint. Install the fuel filter in the fuel tank by tightening the bolts to the specified torque:  
7 lbf-ft (10 N·m, 1.0 kgf·m)  
Refill the fuel tank.

Attach the fuel valve and fuel line, and turn the fuel valve to ON or RES; check for fuel leaks.



(3) fuel filter

(4) O-ring