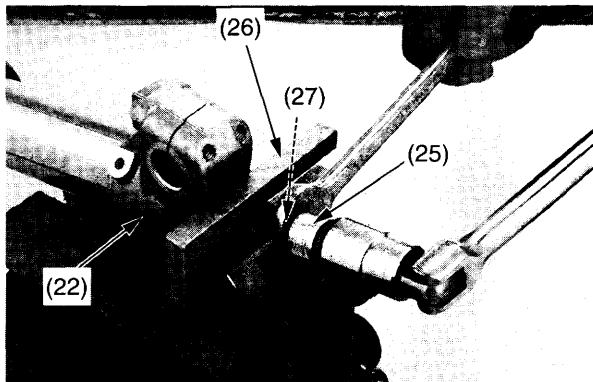


Front Suspension Adjustments

21. Push out the fork center bolt (25) from the axle holder (22) of the slider by pushing the fork damper. While the fork center bolt is pushed out, install the piston base (26) or a mechanic's stopper tool between the axle holder and lock nut (27).
22. Hold the lock nut and remove the centre bolt (25) from the fork damper.

NOTICE

Do not remove the lock nut from the fork damper piston rod. If the lock nut is removed, the piston rod will fall in the fork damper and you can not reassemble the fork damper.

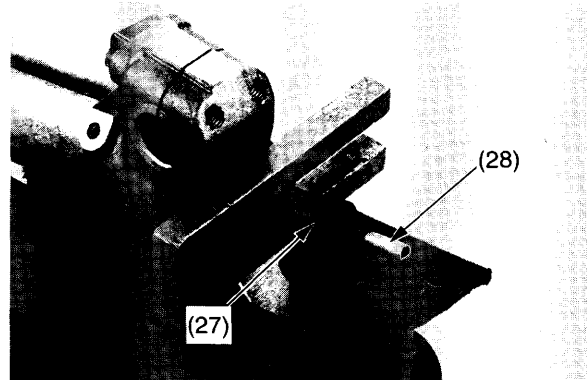


(22) axle holder
(25) centre bolt
(26) piston base
(27) lock nut

23. Remove the push rod (28) from the fork damper.
24. Remove the piston base or mechanic's stopper tool between the axle holder and lock nut (27) while applying pressure to the fork damper.

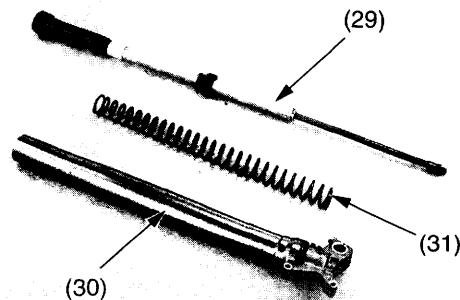
NOTICE

Be careful not to damage the lock nut and fork centre bolt hole.



(27) lock nut
(28) push rod

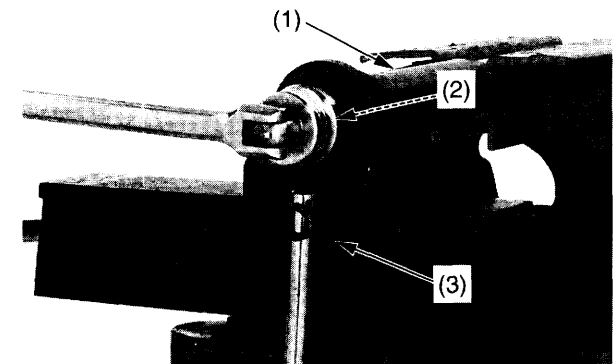
25. Remove the fork damper assembly (29) from the fork assembly (30).
Remove the fork from the vise.
Remove the fork spring (31) from the fork.



(29) fork damper assembly
(30) fork assembly
(31) fork spring

Damper Oil Change

1. Set the fork damper (1) in a vise with a piece of wood or soft jaws to avoid damage.
2. Loosen the fork cap assembly (2) while holding the fork damper using the lock nut wrench (3).



(1) fork damper
(2) fork cap assembly
(3) lock nut wrench