

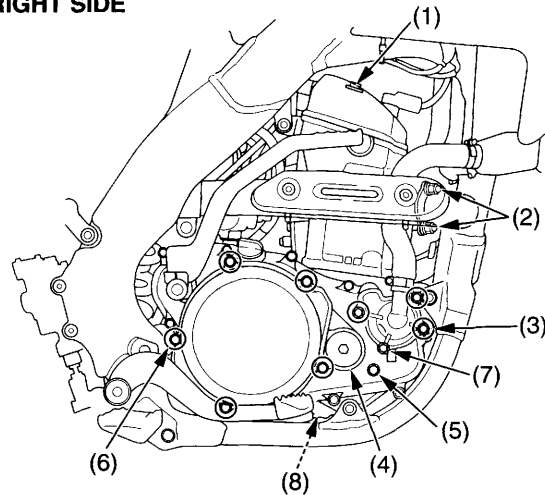
Additional Maintenance Procedures

Nuts, Bolts, Fasteners

Check and tighten nuts, bolts, and fasteners before every outing.

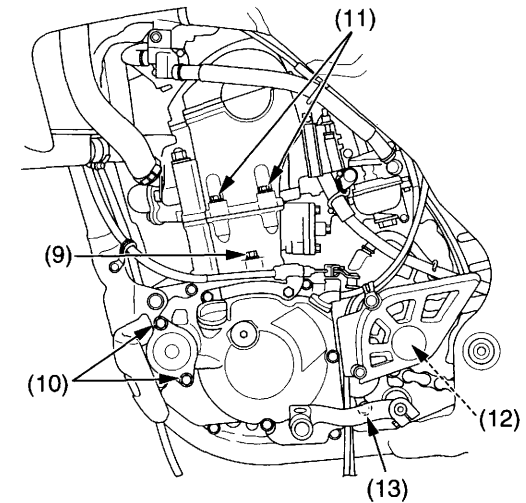
	Item	Torque		
		N•m	kgf•m	lbf•ft
	ENGINE			
1	Cylinder head cover bolts	10	1.0	7
2	Exhaust pipe joint nuts	21	2.1	15
3	Water pump cover bolts	10	1.0	7
4	Crankshaft hole cap	15	1.5	11
5	Transmission oil check bolt	12	1.2	9
6	Clutch cover bolts	10	1.0	7
7	Coolant drain bolt	10	1.0	7
8	Engine oil drain bolt	16	1.6	12
9	Cylinder bolt	10	1.0	7
10	Oil filter cover bolts	12	1.2	9
11	Cylinder head bolts	10	1.0	7
12	Drive sprocket bolt	31	3.2	23
13	Transmission oil drain bolt	16	1.6	12

RIGHT SIDE



- (1) cylinder head cover bolts
- (2) exhaust pipe joint nuts
- (3) water pump cover bolts
- (4) crankshaft hole cap
- (5) transmission oil check bolt
- (6) clutch cover bolts
- (7) coolant drain bolt
- (8) engine oil drain bolt

LEFT SIDE



- (9) cylinder bolt
- (10) oil filter cover bolts
- (11) cylinder head bolts
- (12) drive sprocket bolt
- (13) transmission oil drain bolt