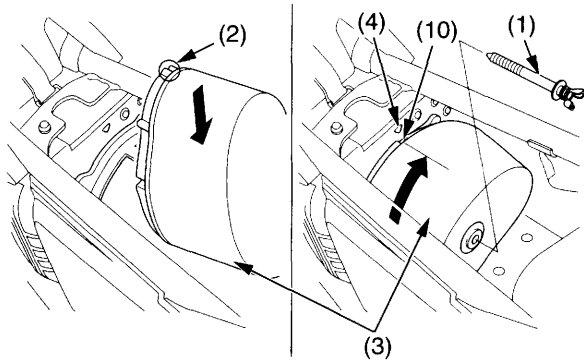


Air Cleaner

11. Install the air cleaner assembly (3) into the air cleaner housing keeping the two access top tabs (2) up.
12. Carefully position the sealing flange of the element to prevent dirt intrusion.
13. Align the groove (10) of the air cleaner assembly with the "Δ" mark (4) of the air cleaner housing by rotating the air cleaner assembly clockwise. Install and tighten the air cleaner retaining bolt (1) securely.



- (1) air cleaner retaining bolt
- (2) two access top tabs
- (3) air cleaner assembly
- (4) "Δ" mark
- (10) groove

NOTICE

Improper installation of the air cleaner assembly may allow dirt and dust to enter the engine and cause rapid wear of the piston rings and cylinder.

14. Reinstall the seat (page 29), making sure it is securely attached.