

Refer to *Safety Precautions* on page 19.

The air cleaner uses polyurethane inner and outer pieces which can't be separated.

A dirty air cleaner will reduce engine power.

Proper air cleaner maintenance is very important for off-road vehicles. A dirty, water-soaked, worn-out, or defective air cleaner will allow dirt, dust, mud, and other impurities to pass into the engine.

Service the air cleaner more frequently if you ride in unusually wet or dusty areas. Your Honda dealer can help you determine the correct service interval for your riding conditions.

Your CRF's air cleaner has very specific performance requirements. Use a new Honda Genuine air cleaner specified for your model or an air cleaner of equal quality.

NOTICE

Using the wrong air cleaner may result in premature engine damage.

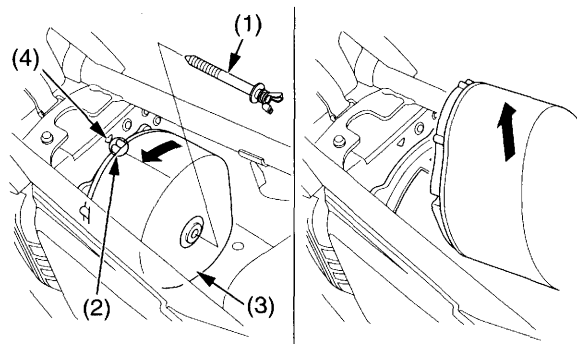
Proper air cleaner maintenance can prevent premature engine wear or damage, expensive repairs, low engine power, poor gas mileage, and spark plug fouling.

NOTICE

Improper or lack of proper air cleaner maintenance can cause poor performance and premature engine wear.

Cleaning

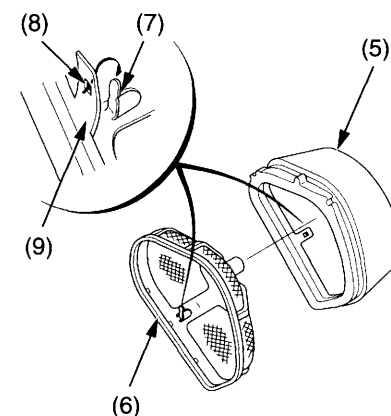
1. Remove the seat (page 29).
2. Remove the air cleaner retaining bolt (1).
3. Align the two access top tabs (2) of the air cleaner assembly (3) and "Δ" mark (4) of the air cleaner housing by rotating the air cleaner assembly counterclockwise.



- (1) air cleaner retaining bolt
 (2) two access top tabs
 (3) air cleaner assembly
 (4) "Δ" mark

4. Remove the air cleaner keeping the two access top tabs up.

5. Remove the air cleaner element (5) from the air cleaner holder (6).



- (5) air cleaner element (8) hole
 (6) air cleaner holder (9) air cleaner tab
 (7) holder tab

6. Wash the air cleaner element in clean non-flammable cleaning solvent. Then wash in hot, soapy water, rinse well, and allow to dry thoroughly.
 The air cleaner element is made in two pieces: inner and outer, which cannot be separated.
7. Clean the inside of the air cleaner housing.
8. Allow the air cleaner element to dry thoroughly. After drying, soak the air cleaner element in clean Honda Foam Air Filter Oil or an equivalent air cleaner oil.
 Apply air cleaner oil to the entire surface, inner and outer, and rub it with both hands to saturate the air cleaner element with oil.
 Squeeze out excess oil.
9. Apply a thin coat of Honda White Lithium Grease or equivalent to the sealing surface between the air cleaner element and air cleaner element holder.
10. Assemble the air cleaner element and holder. Install the holder tab (7) of the holder in the hole (8) of the air cleaner tab (9).

(cont'd)