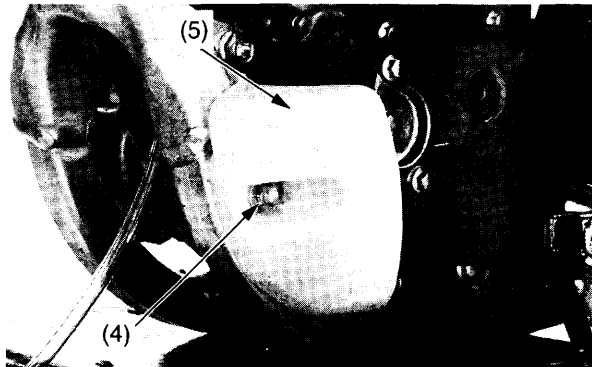


# Engine Oil

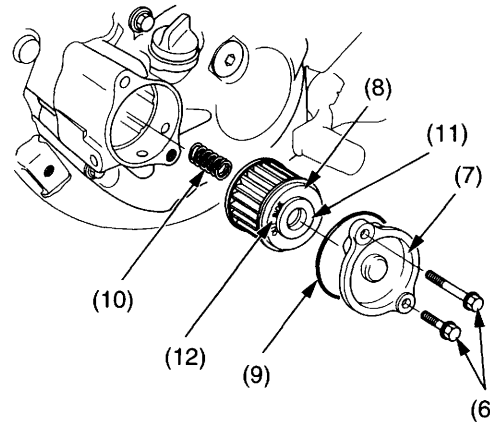
- It is recommended to replace the oil and filter every 6 races or about every 15.0 hours. However, if you replace only the oil before the recommended interval, see page 21.
- Remove the left engine guard bolt (4) and left engine guard (5).



(4) left engine guard bolt  
(5) left engine guard

- Remove the oil filter cover bolts (6) and oil filter cover (7).
- Remove the oil filter (8) from the oil filter cover.

- Check that the oil filter cover O-ring (9) is in good condition.



(6) oil filter cover bolts  
(7) oil filter cover  
(8) oil filter  
(9) oil filter cover O-ring  
(10) spring  
(11) rubber seal  
(12) "OUT-SIDE" mark

## NOTICE

*Using the wrong oil filter may result in leaks or premature engine damage.*

- Apply grease to the filter side of the spring end, then install the spring (10) into a new oil filter.
- Position the spring against the engine crankcase and install a new oil filter with the rubber seal (11) facing out, away from the engine. You should see the "OUT-SIDE" mark (12) on the filter body, near the rubber seal. Use a new Honda Genuine oil filter or a filter of equal quality specified for your model.

## NOTICE

*If the oil filter is not installed properly, it will cause serious engine damage.*

- Apply engine oil to a new O-ring and install it to the oil filter cover.
- Install the oil filter cover being careful not to damage the O-ring, then tighten the oil filter cover bolts to the specified torque:  
12 N·m (1.2 kgf-m, 9 lbf-ft)
- Install the left engine guard and bolt, then tighten it.
- Fill the crankcase with the recommended oil.  
Capacity: 0.69 l (0.73 US qt, 0.61 Imp qt) after draining and oil filter change  
0.66 l (0.70 US qt, 0.58 Imp qt) after draining
- Install the engine oil filler cap/dipstick.
- Check the engine oil level by following the steps in *Checking & Adding Oil* (page 37).

Pour the drained oil into a suitable container and dispose of it in an approved manner (page 142).

## NOTICE

*Improper disposal of drained fluids is harmful to the environment.*