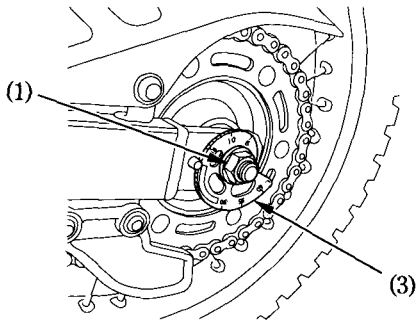


## Rear Wheel Removal

1. Raise the rear wheel off the ground by placing a support block under the engine.
2. Loosen the rear axle nut (1) while holding the rear axle shaft (2).



- (1) Rear axle nut  
(2) Rear axle shaft

(3) Adjusters

3. Turn both chain adjusters (3) for providing maximum drive chain slack.
4. Move the rear wheel forward. Derail the drive chain from the driven sprocket.
5. Move the rear axle shaft back all the way to the swingarm end.
6. Remove the rear axle nut, axle washer, chain adjusters, stopper plate and pull out the rear axle shaft.

