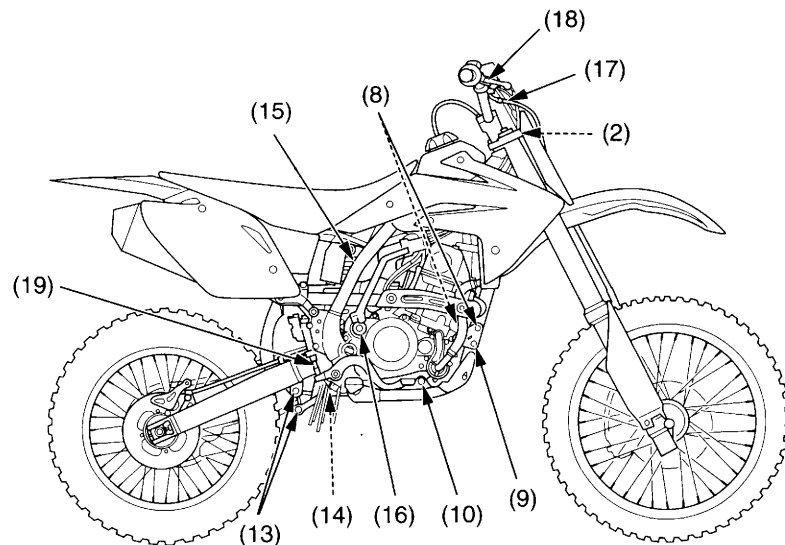
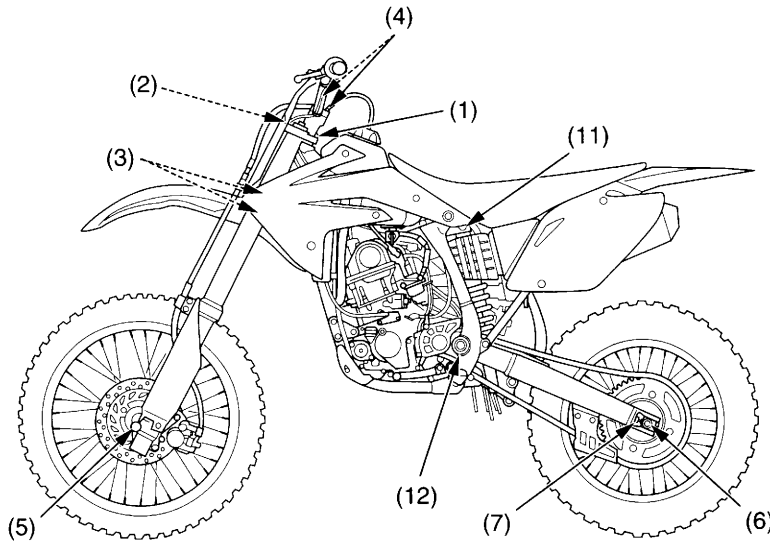


# Torque Specifications

## Frame



## FRAME

Item	Torque			Remarks
	N•m	kgf•m	lbf•ft	
1 Steering stem nut	128	13.1	94	
2 Fork bridge upper pinch bolts	22	2.2	16	
3 Fork bridge lower pinch bolts	22	2.2	16	
4 Handlebar upper holder bolts	22	2.2	16	
5 Front axle nut	69	7.0	51	NOTE 1
6 Rear axle nut	88	9.0	65	NOTE 1
7 Chain adjuster lock nuts	27	2.8	20	NOTE 2
8 Front engine hanger bracket nuts (10 mm)	64	6.5	47	
9 Front engine hanger bracket nut (8 mm)	34	3.5	25	
10 Middle engine mounting nut	64	6.5	47	
11 Shock absorber	44	4.5	32	NOTE 1
12 Swingarm pivot nut	83	8.5	61	
13 Rear shock arm nuts (swingarm side)	44	4.5	32	NOTE 1
(shock link side)	44	4.5	32	NOTE 1
14 Rear shock link nuts (frame side)	44	4.5	32	NOTE 1
15 Shock spring lock nut	88	9.0	65	
16 Kickstarter arm bolt	38	3.9	28	
17 Throttle cable adjuster lock nut	4.0	0.4	3.0	
18 Brake lever adjuster lock nut	5.9	0.6	4.4	
19 Brake pedal adjuster lock nut	5.9	0.6	4.4	

- NOTES:
1. U-nut.
  2. UBS nut.
  3. Apply oil to the threads and flange surface.
  4. Alock bolt.
  5. Apply grease to the threads.
  6. Apply locking agent to the threads.