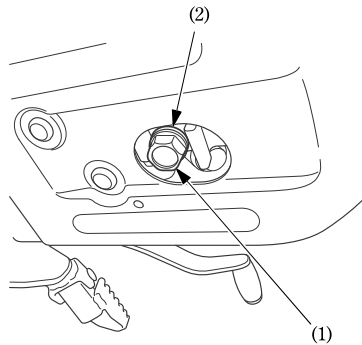


1. Place a drain pan under the crankcase.
2. To drain the oil, remove the oil fill cap/dipstick, oil drain bolt (1), and sealing washer (2).
3. Check that the sealing washer on the drain bolt is in good condition and install the bolt. Replace the sealing washer every other time the oil is changed, or each time if necessary.
Oil drain bolt torque:
24 N·m (2.4 kgf·m, 18 lbf·ft)
4. Fill the crankcase with the recommended grade oil; approximately:
0.9 ℓ (1.0 US qt, 0.8 Imp qt)



(1) Oil drain bolt (2) Sealing washer