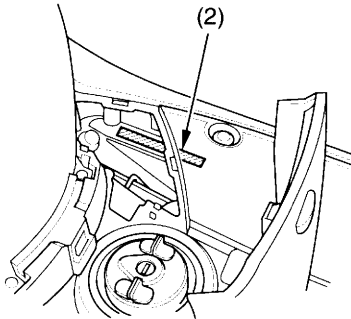


# Vehicle Identification

Remove the plug maintenance lid (page 86 ) to check the VIN (2).

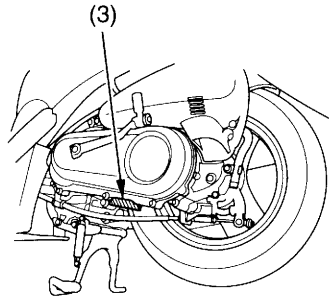
## UNDER STEPBOARD



(2) VIN

The engine number (3 ) is stamped on the back of the crankcase near the rear wheel.

## LEFT REAR



(3) engine number