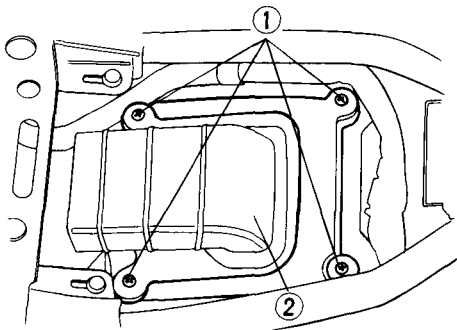


AIR CLEANER

(Refer to the maintenance precautions on page 56).

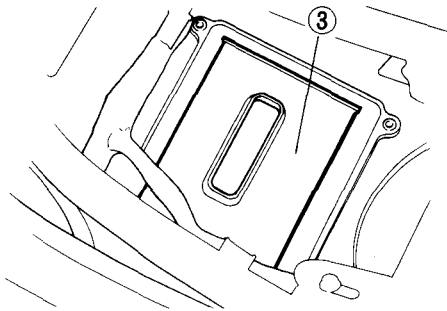
The air cleaner should be serviced at regular intervals (page 52). Service more frequently when riding in unusually wet or dust areas.

1. Remove the seat.
2. Remove the air cleaner housing cover (2) by unscrewing the screws (1).



- (1) Screws
- (2) Air cleaner housing cover

3. Take out the air cleaner (3) and discard it.
4. Install the new air cleaner.
Use the Honda genuine air cleaner or an equivalent air cleaner specified for your model. Using the wrong Honda air cleaner or a non-Honda air cleaner which is not of equivalent quality may cause premature engine wear or performance problems.
5. Install the removed parts in the reverse order of removal.



- (3) Air cleaner