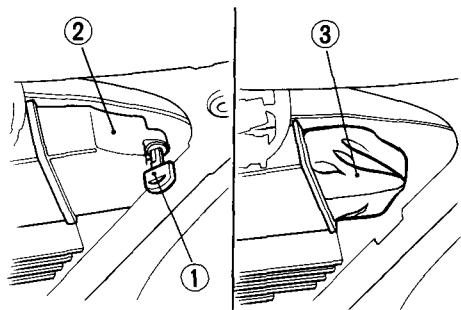


TOOL KIT

The tool kit (3) is in the storage compartment behind the left side cover. To open the storage compartment cover (2), insert and turn the key (1) counterclockwise. Some roadside repairs, minor adjustments and parts replacement can be performed with the tools contained in the kit.

- 8 mm open end wrench
- 10 × 12 mm open end wrench
- 14 × 17 mm open end wrench
- Pliers
- No. 4 Screw driver
- No. 2 Plus minus driver
- Screwdriver handle
- 12 mm box end wrench
- 27 mm box end wrench
- 10 × 12 mm box end wrench
- Spark plug wrench
- Feeler gauge 0.7mm
- Tool bag
- Pin spanner
- 5 mm hex wrench
- 6 mm hex wrench



(1) Key
(2) Compartment cover

(3) Tool kit