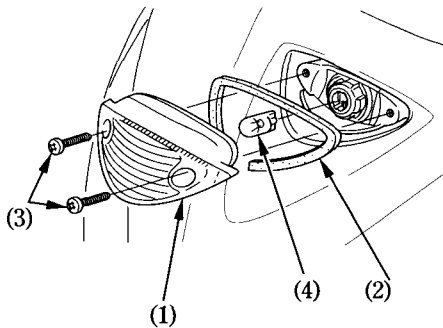


## Position Light Bulb

1. Remove the position light lens (1) and the dust cover (2) by removing the screws (3).
2. Pull out the bulb (4) without turning.
3. Install a new bulb in the reverse order of removal.



(1) Position light lens  
(2) Dust cover

(3) Screws  
(4) Bulb