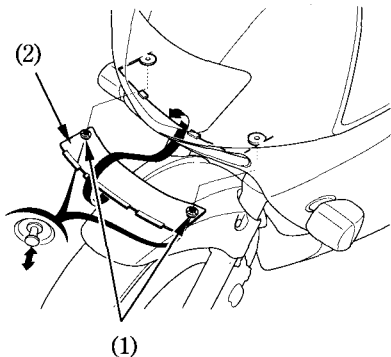


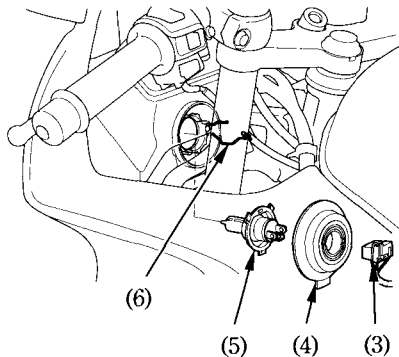
## Headlight Bulb

1. Pull the clips (1) out to the first detent position.
2. Remove the lid (2) from the fairing.  
Be careful not to damage the retaining tabs of the lid.



- (1) Clips  
(2) Lid

3. Pull off the socket (3) without turning.
4. Remove the seat rubber (4).
5. Remove the bulb (5) while pressing down on the pin (6).
6. Install a new bulb in the reverse order of removal.



- (3) Socket  
(4) Seat rubber  
(5) Bulb  
(6) Pin