

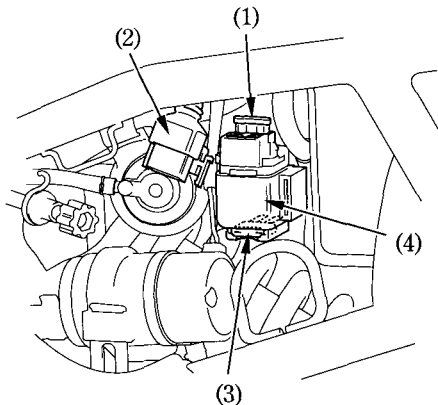
Main fuse:

The main fuse (1) is located behind the left side cover.

The specified fuse is:

**30A**

1. Remove the left side cover (page 40).
2. Disconnect the wire connector (2) of the starter magnetic switch.
3. Pull out the old fuse and install a new fuse. The spare fuse (3) is located under the starter magnetic switch.
4. Reconnect the connector and install the left side cover.



(1) Main fuse

(2) Wire connector

(3) Spare fuse

(4) Starter magnetic switch