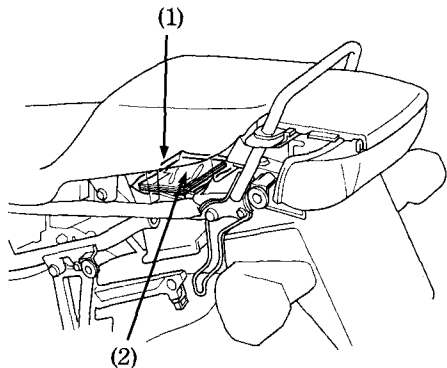


DOCUMENT BAG

The document bag (1) is in the document compartment (2) under the seat.

This owner's manual and other documents should be stored in the document bag. When washing your motorcycle, be careful not to flood this area with water.

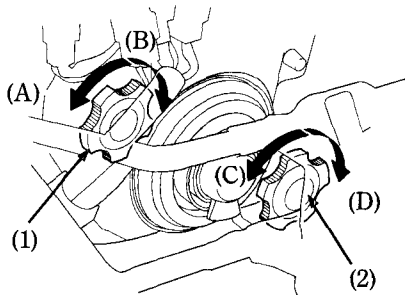


- (1) Document bag
- (2) Document compartment

HEADLIGHT BEAM ADJUSTMENT

To adjust the headlight beam vertically, remove the lid (See page 92) and turn the knob (1), (2) in either direction.

Obey local laws and regulations .



- (A) Right
- (B) Left

- (C) Up
- (D) Down