

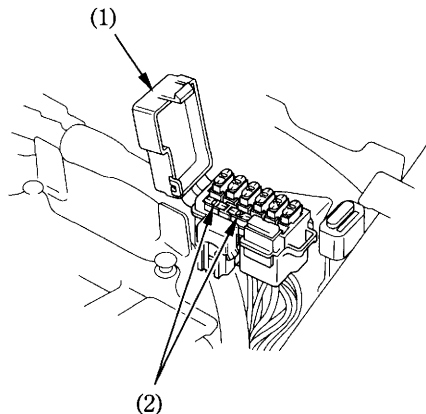
Fuse Box:

The fuse box is located under the seat.

The specified fuses are:

10 A, 20 A

1. Make sure the ignition switch is OFF.
2. Remove the seat (page 55).
3. Open the fuse box cover (1).
4. Pull out the old fuse and install a new fuse.
The spare fuses (2) are located in the fuse box.
5. Close the fuse box cover and install the seat.



- (1) Fuse box cover
(2) Spare fuses