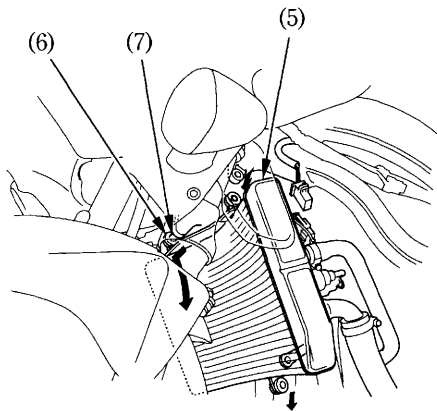
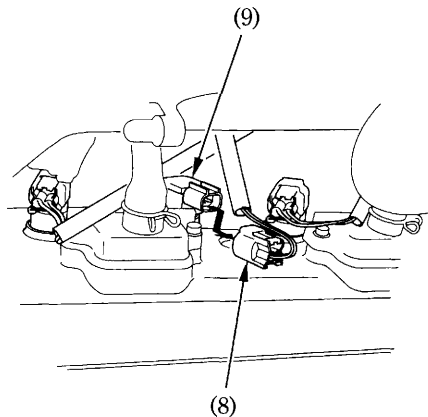


5. Move the radiator (5) out of the way and remove the grommet (6) from the hook (7).
6. Pull the radiator toward the front.



7. Disconnect the ignition coil connectors (8).
8. Disconnect the ignition coils (9) from the spark plugs.



(5) Radiator
(6) Grommet

(7) Hook

(8) Ignition coil connectors
(9) Ignition coils