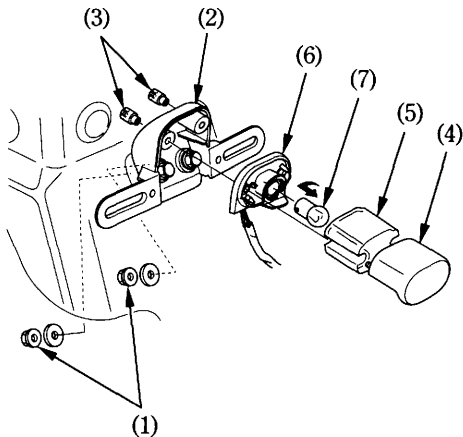


License Light Bulb

1. Remove the A nuts (1), washer and license plate bracket (2).
2. Remove the B nuts (3), license light cover (4), license light lens (5) and socket (6) from the license plate bracket.
3. Slightly press the bulb (7) and turn it counterclockwise.
4. Install a new bulb in the reverse order of removal.



- (1) A nuts
- (2) License plate bracket
- (3) B nuts
- (4) License light cover
- (5) License light lens
- (6) Socket
- (7) Bulb