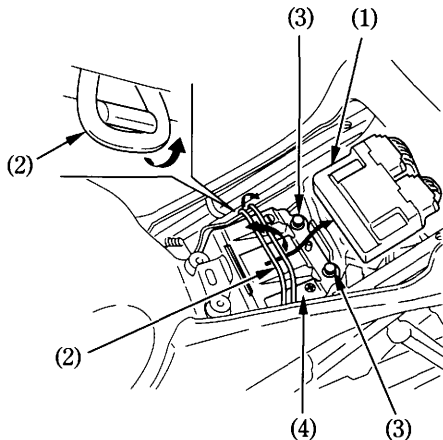


## Battery Removal

The battery (7) is in the battery box below the front seat.

1. Remove the front seat (page 60 ).
2. Pull out the engine control module (1) from the rubber band (2).
3. Unhook the rubber band.
4. Pull the clips (3) and open the battery cover (4).



- (1) Engine control module
- (2) Rubber band
- (3) Clips
- (4) Battery cover