

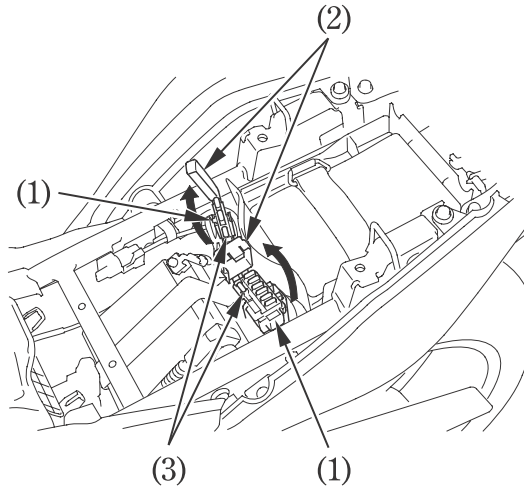
Fuse Boxes:
(CBR250RA)

The fuse boxes (1) are located under the seat.

The specified fuses are:

10 A, 30 A

1. Remove the rear and front seats (pages 47, 48).
2. Open the fuse box covers (2).
3. Pull out the old fuse. If the fuse is blown, install a spare fuse.
The spare fuses (3) are located in the fuse boxes.
4. Close the fuse box covers and install the seat.



(1) Fuse boxes
(2) Fuse box covers

(3) Spare fuses