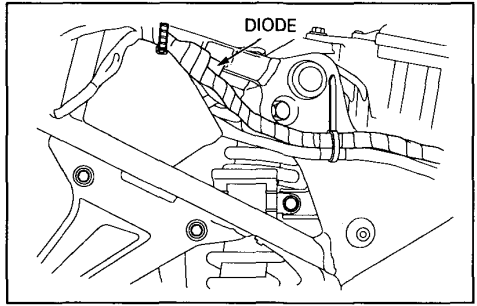


CLUTCH/NEUTRAL DIODE

INSPECTION

Remove the rear cowl
(page 2-3).

Remove the diode.



Check for continuity between the diode terminals.
When there is continuity, a small resistance value will register.

If there is continuity in one direction, the diode is normal.

