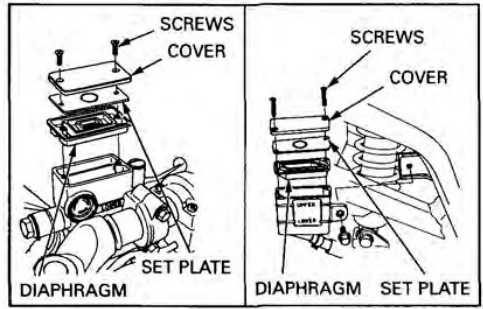


Install the diaphragm set plate and reservoir cover.
Tighten the reservoir cover screws to the specified torque.

TORQUE: 1.5 N-m (0.15 kgf-m, 1.1 lbf-ft)



BRAKE PAD/DISC

FRONT BRAKE PAD REPLACEMENT

▲ WARNING

A contaminated brake disc or pad reduces stopping power. Discard contaminated pads and clean a contaminated disc with a high quality brake degreasing agent.

NOTE:

- Always replace the brake pads in pairs to assure even disc pressure.
- Check the brake fluid level in the brake master cylinder reservoir as this operation causes the level to rise.

Push the caliper pistons all the way in to allow installation of new brake pads.



Remove the pad pin and brake pads.



PAD PIN



BRAKE PADS