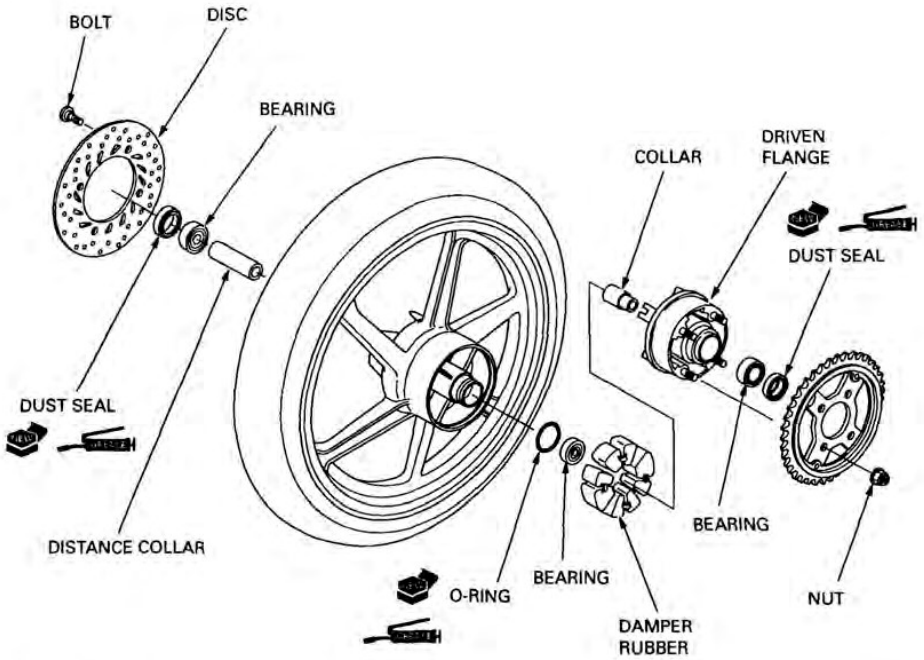


ASSEMBLY



Wheel bearing installation

CAUTION:

Never install an old bearing has been removed, the bearing must be replaced with a new one.

Drive a new right bearing squarely with its marking side facing out.

TOOLS:

- Driver
- Attachment, 37 x 40 mm
- Pilot, 12 mm

- 07749 - 0010000
- 07746 - 0010200
- 07746 - 0040200



Install the distance collar, then drive in the left side bearing with its marking side facing out.

