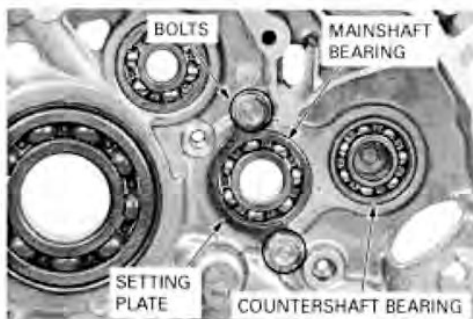


TRANSMISSION

TRANSMISSION BEARING REPLACEMENT

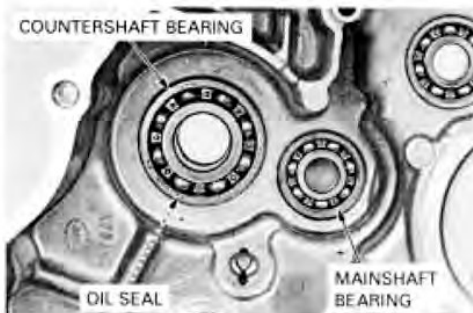
Remove the bolts and mainshaft bearing setting plate from the right crankcase.

Remove the mainshaft bearing from the inside of the right crankcase.



Remove the oil seal from the left crankcase.

Remove the countershaft bearing from the inside of the left crankcase.



Remove the bearings with following tools.

TOOLS:

Right crankcase countershaft bearing:

Bearing remover head, 15 mm	07936 - KC10200
Remover shaft	07936 - KC10100
Remover weight	07741 - 0010201

Left crankcase mainshaft bearing:

Bearing remover head, 12 mm	07936 - 1660110
Remover shaft	07936 - 1660120
Remover weight	07741 - 0010201

