

Remove the bolt, radiator hose joint and O-ring.



While compressing the valve spring with the valve spring compressor, remove the valve cotters.

CAUTION:

To prevent loss of tension, do not compress the valve spring more than necessary to remove the cotters.

TOOL:

Valve spring compressor 07757 - 0010000
 Valve spring compressor attachment 07JME- KY20100
 Tapet hole protector 07JMG- KY20100

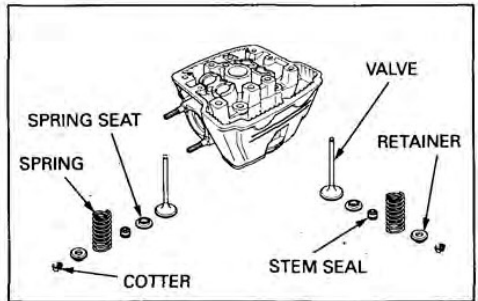


Loosen the valve spring compressor and remove the following:

- spring retainers
- valve springs
- spring seats
- intake and exhaust valve
- valve stem seal

NOTE:

Mark all disassembled parts to ensure correct reassembly.



Remove the carbon deposits from the combustion chamber.

Clean off any gasket materials from the cylinder head surface.

NOTE:

Being careful not to damage the gasket surface.

