

CARBURETOR CLEANING

Remove the following:

- diaphragm/vacuum piston
- main jet, needle jet and slow jet
- pilot screw
- air cut-off valve

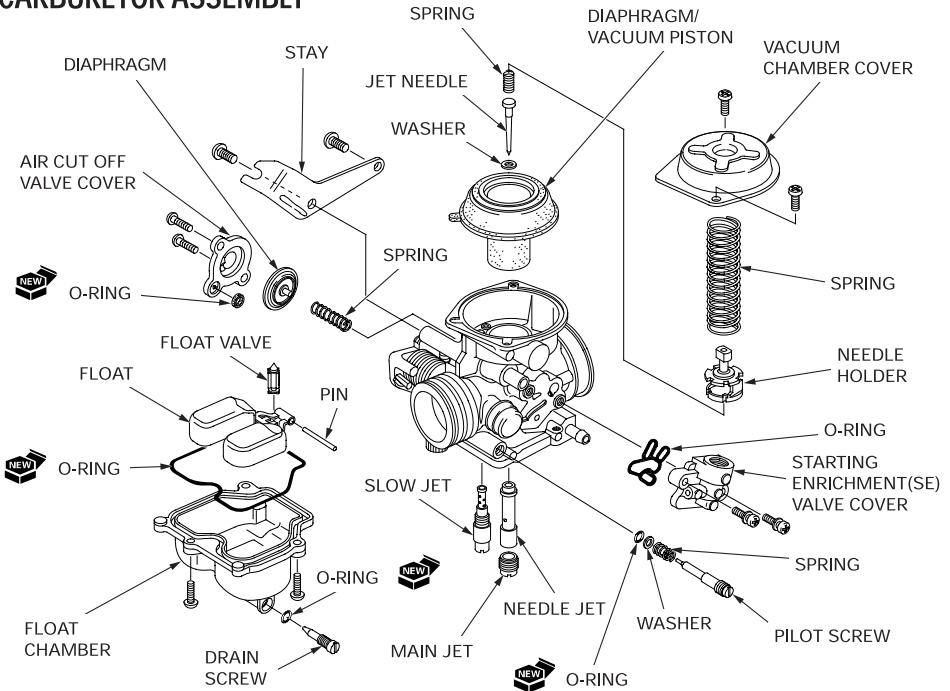
CAUTION:

Cleaning the air and fuel passages with a piece of wire will damage the carburetor body.



Blow open all air and fuel passages in the carburetor body with compressed air.

CARBURETOR ASSEMBLY



FLOAT CHAMBER

Install the pilot screw and return it to its original position as noted during removal.

Perform the pilot screw adjustment if new pilot screw is installed (page 5-14).

CAUTION:

- *Damage to pilot screw seat will occur if the pilot screw is tightened against the seat.*
- *Handle the jets with care. They easily be scored or scratched*

Install the needle jet, main jet and slow jet.

