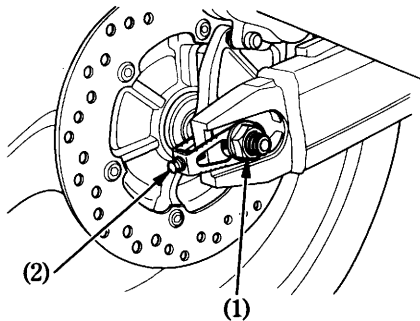


Rear Wheel Removal

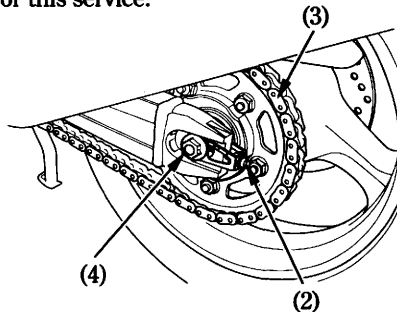
1. Place the motorcycle on its center stand.
2. Loosen the rear axle nut (1).
3. Loosen the drive chain adjusting bolts (2).
4. Remove the rear axle nut.
5. Remove the drive chain (3) from the driven sprocket by pushing the rear wheel forward.



(1) Rear axle nut

6. Remove the rear axle shaft (4), side collars and rear wheel from the swingarm.

Do not depress the brake lever and brake pedal when the wheel is off the motorcycle. The caliper piston will be forced out of the cylinder with subsequent loss of brake fluid. If this occurs, servicing of the brake system will be necessary. See your Honda dealer for this service.



- (2) Drive chain adjusting bolt
- (3) Drive chain
- (4) Rear axle shaft