

LEFT HANDLEBAR CONTROLS

Headlight Dimmer Switch (1)

The headlight dimmer switch is used to change between the high and low beams of the headlight. To operate, turn the switch to ☰ (HI) for high beam, ☷ (LO) for low beam.

Passing Light Control Switch (2)

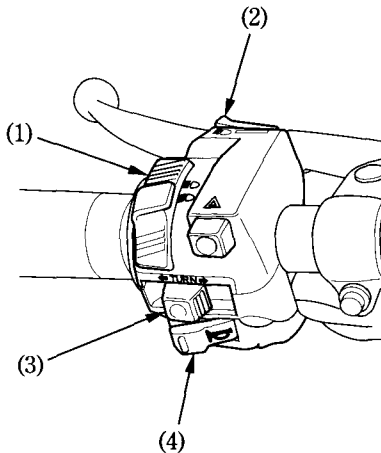
When this switch is pressed, the headlight flashes on to signal approaching cars or when passing.

Turn Signal Switch (3)

Move to ⇐ (L) to signal a left turn, ⇒ (R) to signal a right turn. Press to turn signal off.

Horn Button (4)

Press the button to sound the horn.



- (1) Headlight dimmer switch
- (2) Passing light control switch
- (3) Turn signal switch
- (4) Horn button