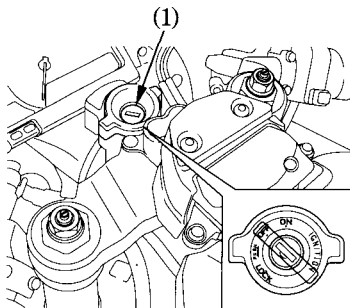


ESSENTIAL INDIVIDUAL COMPONENTS

IGNITION SWITCH

The ignition switch (1) is below the indicator panel.

The headlight and taillights will come on whenever you turn the ignition switch ON. If your motorcycle is stopped with the ignition switch ON and the engine is not running, the headlight and taillights will still be on, resulting in battery discharge.



(1) Ignition switch

| Key Position | Function | Key Removal |
|-------------------------|---|-----------------------|
| LOCK (steering lock) | Steering is locked. Engine and lights cannot be operated. | Key can be removed |
| OFF | Engine and lights cannot be operated. | Key can be removed |
| ON | Engine and lights can be operated. | Key cannot be removed |