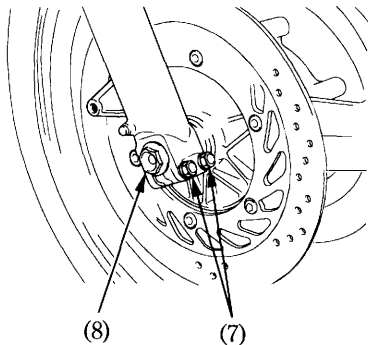
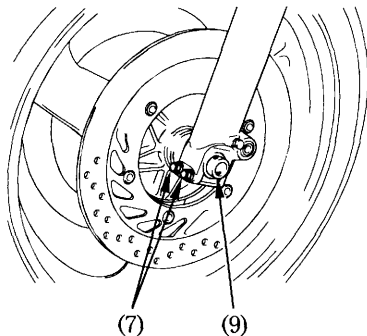


5. Loosen the right and left axle pinch bolts (7), and remove the axle bolt (8).
6. Withdraw the front axle (9) and remove the front wheel.



(7) Axle pinch bolt

(8) Axle bolt



(9) Front axle