

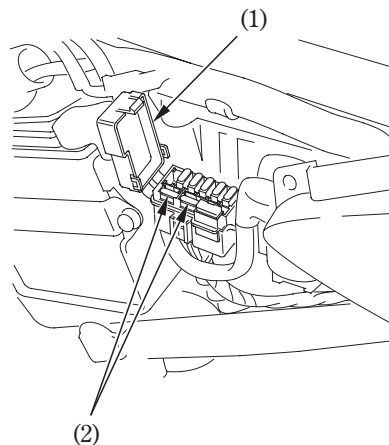


Fuse box:

The fuse box is located behind the left side cover. The specified fuse are:

**5A, 10A**

1. Remove the seat (page 38).
2. Remove the left side cover (page 40).
3. Open the fuse box cover (1).
4. Pull out the old fuse and install a new fuse.  
The spare fuses (2) are located in the fuse box.
5. Close the fuse box cover and install the left side cover and the seat.



(1) Fuse box cover

(2) Spare fuses

