

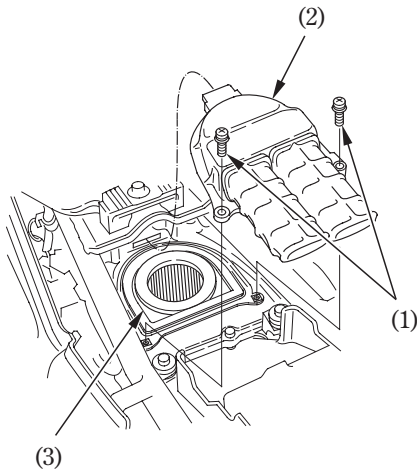


AIR CLEANER

(Refer to the maintenance precautions on page 57).

The air cleaner should be serviced at regular intervals (page 52). Service more frequently when riding in unusually wet or dusty areas.

1. Remove the seat (page 38).
2. Remove the air cleaner housing cover (2) by removing two screws (1).
3. Take out the air cleaner element (3) and clean the air cleaner element using compressed air from the outside, or replace it if necessary.
4. Install the air cleaner element.
5. Install the removed parts in the reverse order of removal.



- (1) Screws
- (2) Air cleaner housing cover
- (3) Air cleaner element

